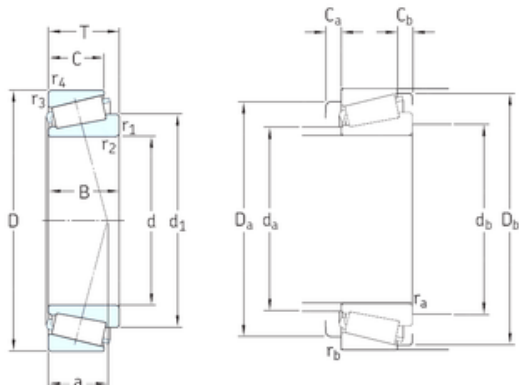




GENERAL BEARING IMPORT COMPANY



30 mm x 62 mm x 20 mm SKF 32206J2/Q
AUSTRIA Bearing 30*62*21.25

Bearing No. 32206J2/Q

32206J2/Q Bearing 2D drawings and 3D CAD models

Size	30x62x21.25 mm
Bore Diameter	30 mm
Outer Diameter	62 mm
Width	21,25 mm
d	30 mm
D	62 mm
T	21,25 mm
B	20 mm
C	17 mm
a	15 mm
d1	45,2 mm
r1 min.	1 mm
r2 min.	1 mm
r3 min.	1 mm
r4 min.	1 mm
Ca min.	3 mm
Cb min.	4 mm
da max	37 mm
Da min	52 mm
Da max.	56 mm
db min	36 mm
Db min.	59 mm
ra max.	1 mm
rb max.	1 mm
Weight	0,29 Kg



GENERAL BEARING IMPORT COMPANY

Basic dynamic load rating (C)	50,1 kN
Basic static load rating (C0)	57 kN
Fatigue load limit (Pu)	6,3
Reference speed	8500 r/min
Limiting speed	11000 r/min
Calculation factor (e)	0,37
Calculation factor (Y)	1,6