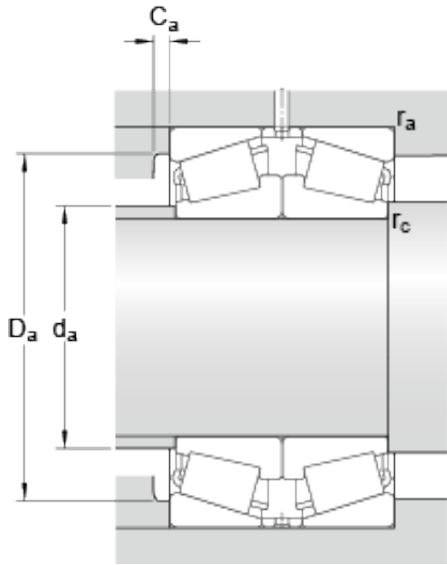




GENERAL BEARING IMPORT COMPANY



32230/DF Bearing 2D drawings and 3D CAD models

SKF 32230/DF AUSTRIA Bearing 150*270*154

Bearing No. 32230/DF

d	150 mm
D	270 mm
T	154 mm
2B	146 mm
b	10.5 mm
K	7.5 mm
r _{3,4} min.	3 mm
r ₅ min.	1 mm
d _a max.	171 mm
D _a min.	226 mm
D _a max.	256 mm
C _a min.	8 mm
r _a max.	3 mm
r _c max.	1 mm
Basic dynamic load rating C	1341 kN
Basic static load rating C ₀	2280 kN
Fatigue load limit P _u	224 kN
Reference speed	1400 r/min
Limiting speed	2400 r/min
Calculation factor e	0.43
Calculation factor Y ₁	1.6
Calculation factor Y ₂	2.3
Calculation factor Y ₀	1.6
Mass bearing pair	37.3 kg