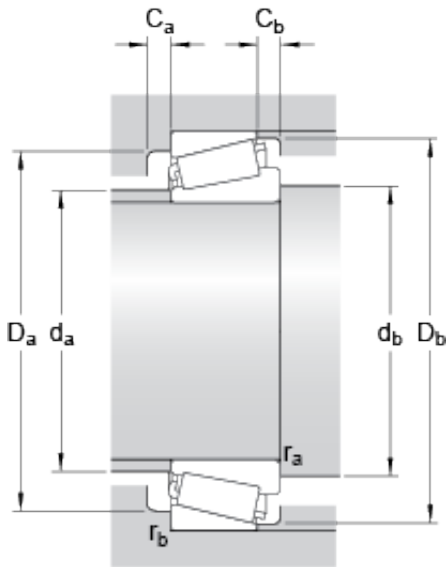




GENERAL BEARING IMPORT COMPANY

SKF 32311 AUSTRIA Bearing 55X120X45.5

Bearing No. 32311



32311 Bearing 2D drawings and 3D CAD models

Dimension series	2FD
d	55 mm
D	120 mm
T	45.5 mm
d ₁	84.6 mm
B	43 mm
C	35 mm
r _{1,2} min.	2.5 mm
r _{3,4} min.	2 mm
a	29.368 mm
d _a max.	68 mm
d _b min.	66.5 mm
D _a min.	99 mm
D _a max.	110.5 mm
D _b min.	111 mm
C _a min.	5 mm
C _b min.	10.5 mm
r _a max.	2.5 mm
r _b max.	2 mm
Basic dynamic load rating C	245 kN
Basic static load rating C ₀	250 kN
Fatigue load limit P _u	28.5 kN
Reference speed	4300 r/min
Limiting speed	5600 r/min
Calculation factor e	0.35
Calculation factor Y	1.7



GENERAL BEARING IMPORT COMPANY

Calculation factor Y_0	0.9
Mass bearing	2.33 kg